

# BM940

BATTERY

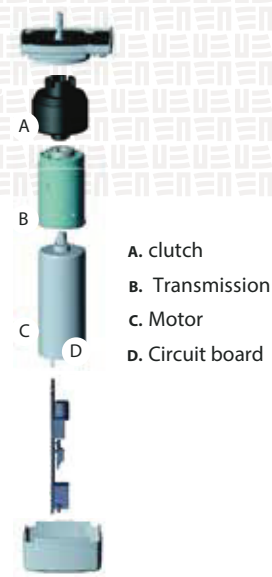
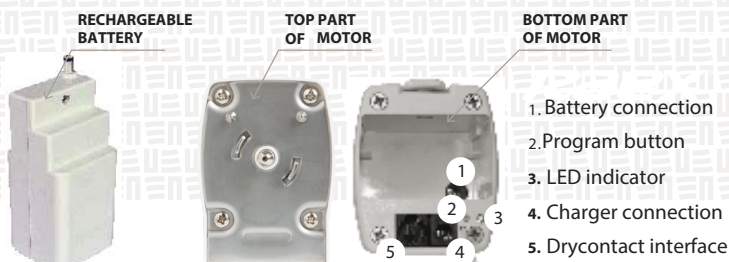
- Silent motor.
- Low consumption rechargeable battery.
- A fully charged battery can be used 500 times in normal operation.
- The motor automatically sets limits.
- The curtain can be opened manually in case of power loss.
- The motor can be started by manually moving the curtains.
- It has intermediate functions.
- Smooth starting and braking..
- It can be operated with a radio receiver, switch and/or network control..
- The curtain rod has a design for traditional or ripplefold curtains.
- Durable textile band system.
- Can be curved.
- 5 year warranty.
- Compatible with intelligent system with Neo interface (control 4, google assistant, alexa amazon, etc).

**MOTOR SPECS**

DIMENSIONS	240 x 60 x 50mm
WEIGHT	1.0 Kg
BATTERY VOLTAGE	14.8V ac
NOMINAL SPEED	115 rpm
SPEED	0.16m por segundo
TORQUE	0.6Nm



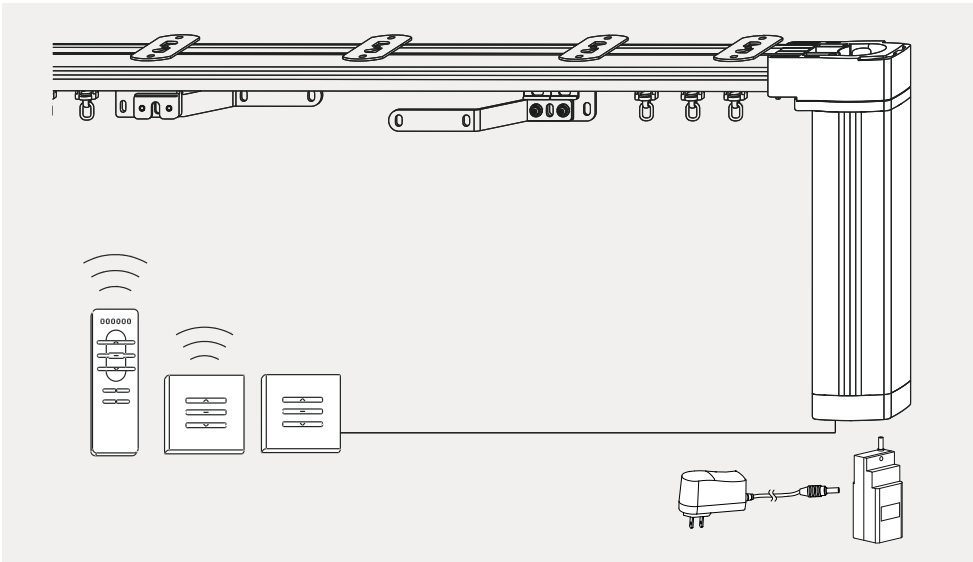
**MOTOR ANATOMY**



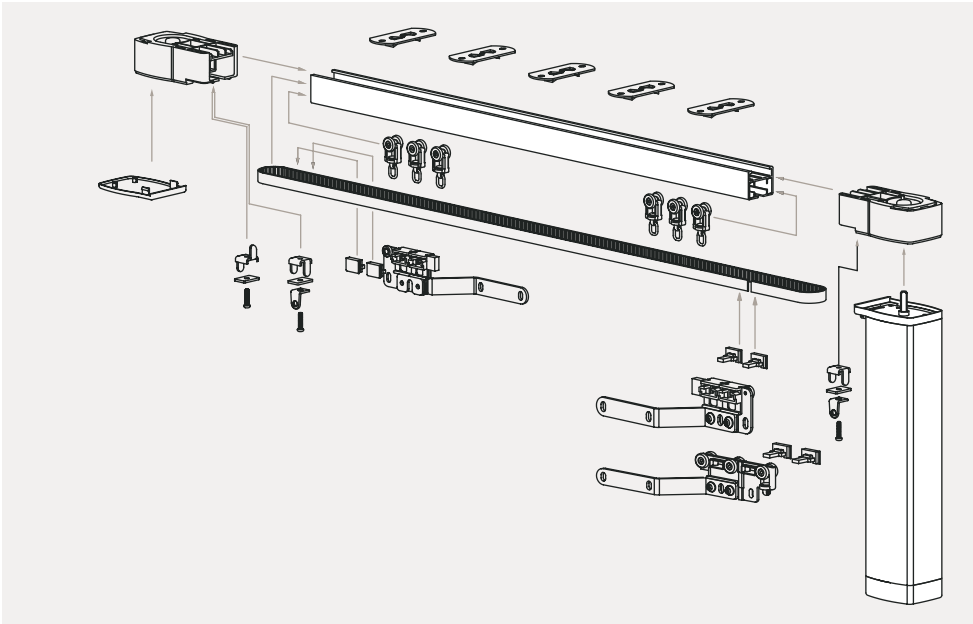
**LOAD CAPACITY**

		4M	6M	8M
	×	30 Kg	25 Kg	15 Kg
	R400	20 Kg	5 Kg	30 Kg

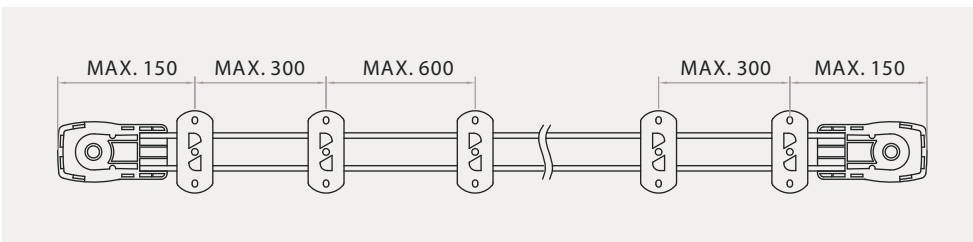
## CONNECTION DIAGRAM



## MOTORIZED RAIL SYSTEM PIECES



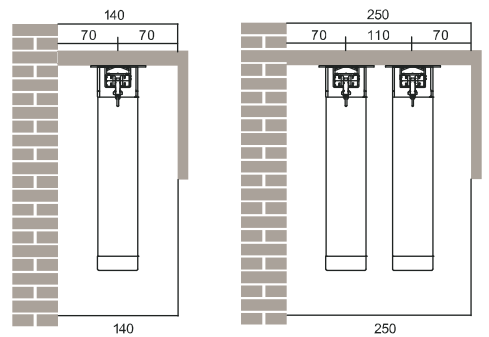
## SUPPORT SEPARATION



## ACCESSORIES

<b>RAIL</b> RAM-426 RAM-580	
<b>TEXTILE BAND</b> BTM-12	
<b>MASTER CARRIER</b> MIDM-101	
<b>RIPPLEFOLD MASTER CARRIER</b> MRLM-103	
<b>MOTOR CONTROL UNIT</b> UMC-360	
<b>END CAP</b> TFM-001	
<b>SILENT CARRIER</b> CSM-1000	
<b>RIPPLEFOLD CARRIER</b> CRLM-600	
<b>RAIL CONNECTOR</b> RAM-UNIÓN	
<b>CEILING BRACKET</b> STM-003	
<b>CIRCULAR BRACKET</b> SCM-004	
<b>WALL BRACKET</b> SPM-002	

## INSTALLATION DIMENSIONS



UNIDAD DE MEDIDA: mm



EE.UU  
Baja Contract  
9927 Via de la Amistad  
San Diego, CA 92154

EMAIL  
info@bajacontract.com

(800) 663-91-28

bajacontract.com