

MOTORIZED DRAPERY SYSTEM

BM360



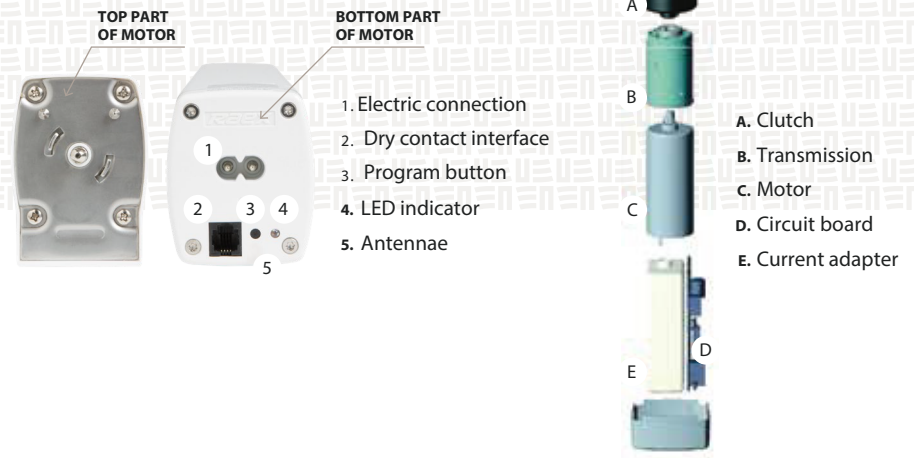
- Silent motor.
- Motor automatically sets limits.
- In case of energy loss, drapery can be manually operated.
- Motor can start operating by pulling on the drapes themselves.
- Comes with intermediate functions.
- Soft start and stop.
- It can be operated with a radio receiver, switch and/or network control.
- The curtain rod has a design for traditional or ripplefold curtains.
- Durable textile belt system.
- Can be curved.
- 5 year warranty
- Compatible with intelligent system with Neo interface (control 4, google assistant, alexa amazon, etc).

MOTOR SPECS


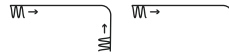

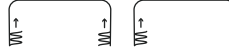
DIMENSIONS	327 x 60 x 50mm
WEIGHT	1.3 Kg
VOLTAGE	110V ac
AMPERAGE	1.5 Amps
FREQUENCY	50/ 60Hz
SPEED	0.16m per second
TORQUE	1.2Nm



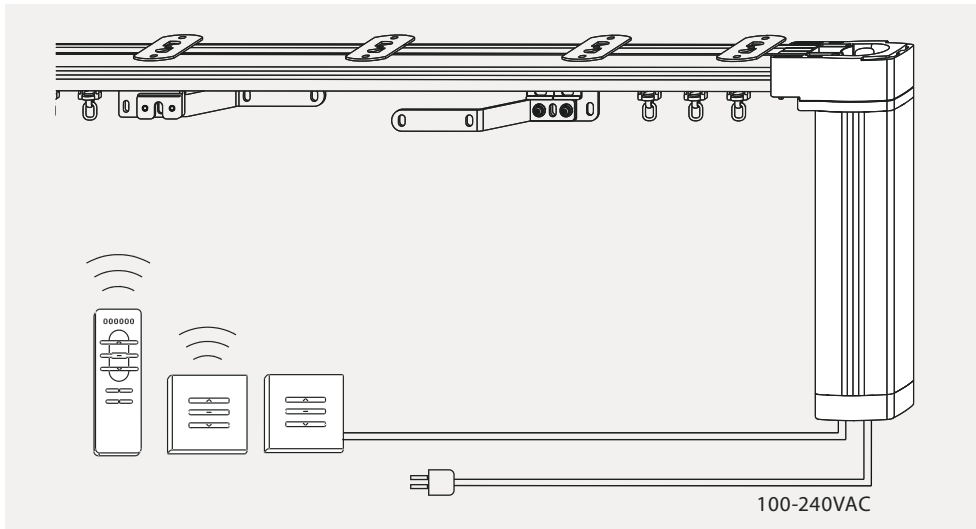
MOTOR ANATOMY



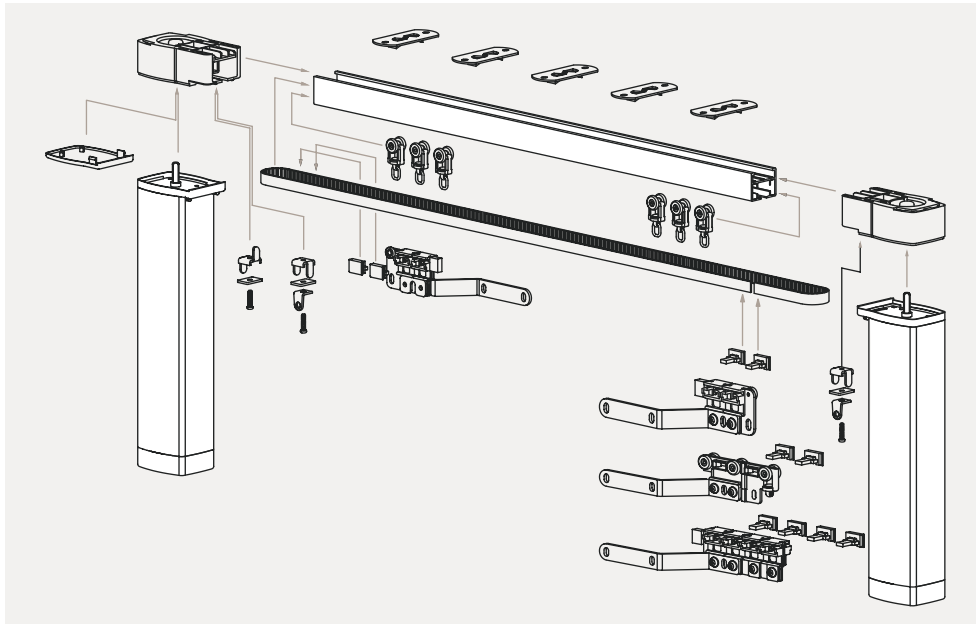
LOAD CAPACITY

	4M	6M	8M	12M	
	×	50 Kg	45 Kg	35 Kg	30 Kg
	R400	40 Kg	35 Kg	30 Kg	×
	R2000	35Kg	35Kg	×	×
	R400 × 2	35Kg	35Kg	×	×

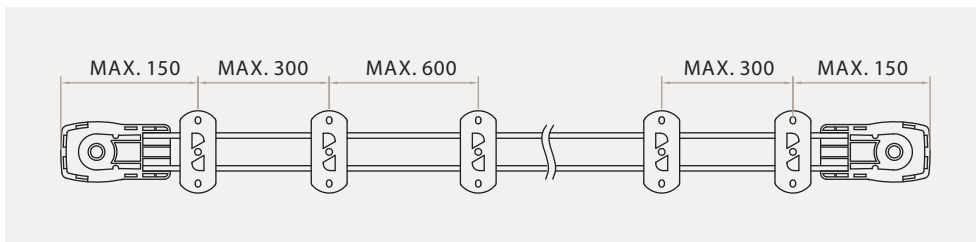
CONNECTION DIAGRAM



MOTORIZED RAIL SYSTEM PIECES



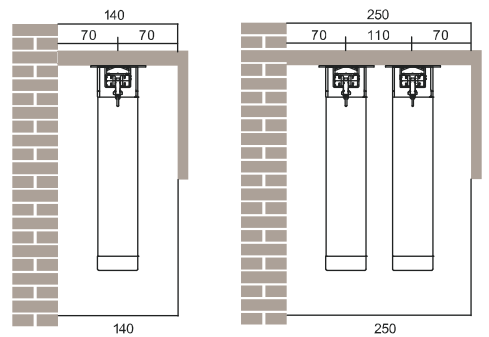
SUPPORT SEPARATION



ACCESSORIES

RAIL RAM-426 RAM-580	
TEXTILE BELT BTM-12	
MASTER CARRIER MIDM-101	
MASTER CARRIER RIPPLEFOLD MRLM-103	
MOTOR CONTROL UNIT UMC-360	
END CAP TFM-001	
SILENT CARRIER CSM-1000	
RIPPLEFOLD CARRIER CRLM-600	
RAIL CONNECTOR RAM-UNIÓN	
CEILING BRACKET STM-003	
CIRCULAR BRACKET SCM-004	
WALL BRACKET SPM-002	

INSTALLATION DIMENSIONS



UNIDAD DE MEDIDA: mm



EE.UU
Baja Contract
9927 Via de la Amistad
San Diego, CA 92154

EMAIL
info@bajacontract.com

(800) 663-91-28

bajacontract.com